

FRAME PASSPORT – VEKTORI

***IKUISTA***

## Introduction & Safety Notices

Thank you for choosing an IKUISTA frame. This passport contains essential safety, compatibility, torque and geometry information specific to your frame. Keep this document for future reference and provide it to the next owner if the frame is transferred.

### **Safety Warnings**

Read and follow all instructions in this passport and in the component manufacturers' manuals before riding. Improper assembly, incorrect torque values, incompatible components, or misuse can lead to frame damage or serious injury.

- Always wear a helmet.
- Do not modify, drill, sand, cut or repaint the frame outside IKUISTA-approved processes.
- After any crash, impact or unusual noise, have the frame inspected by an authorized service partner.
- Use only components listed as compatible with your frame model.
- Periodic inspection of frame, fork, cockpit, wheels and seatpost is essential for long-term safety.

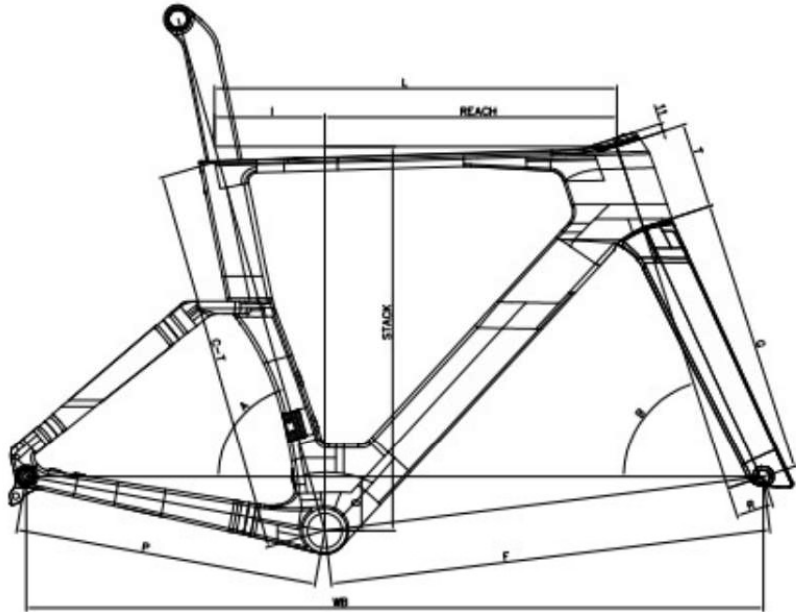
### **Assembly Information**

- Location: Tampere, Finland, Ikuista Assembly Factory
- For authorized service partners visit: [ikuista.com/service](https://ikuista.com/service)
- To activate extended warranty, register your frame at: [ikuista.com/warranty](https://ikuista.com/warranty)

### **Serial number**

Located below the bottom bracket under the bike. The serial number is order specific and linked to the first owner of the bike.

Geometry & Weight



SIZE	C-T	L	I	A	B	F	P	T	D	R	G	STACK	REACH	WB
(450)	480	507	135	74°	71°	569	410	77	75	50	370.5	480	372	967
(490)	500	519	136	74°	71.5°	584	410	96	75	50	370.5	500	383	982
(520)	520	544	149	74°	72°	598	410	117	73	50	370.5	520	395	997
(540)	540	562	155	74°	72°	616	410	138	73	50	370.5	541	407	1015
(560)	560	580	161	74°	72.5°	630	410	161	70	50	370.5	561	419	1030
(580)	580	598	167	74°	72.5°	648	410	181	70	50	370.5	580	431	1048

**Unpainted Frameset Weight:** M size ±1700g – including fittings

## Technical Specifications

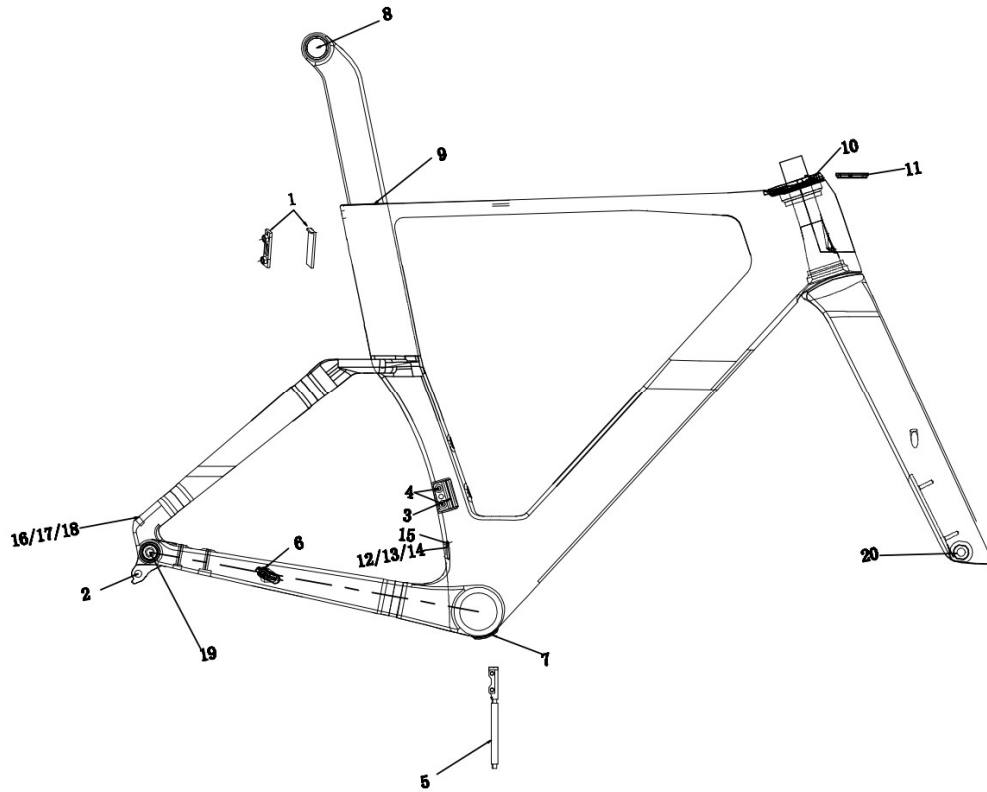
- Material: C° Carbon
- Headset size: Top 1-1/2 down 1-1/2
- Seatpost: Aero frame specific
- BB: T47 Outboard
- Brake Type: Flat mount disc brake
- Maximum tyre size: 700\*32mm (Measured width)
- Maximum for single speed crankset: 48T
- Maximum for double speed crankset: 53-39T
- Rear axle: 142\*12mm (Flat mount disc brake)
- Front spacer: Monocoque fork 100\*12mm
- Flat mount disc brake  $\text{C} 140/ \text{C} 160$  interchange
- Cables routing: Fully integrated cable routing
- Mechanical cable routing: Yes
- UCI Approval: No
- Total system weight limit: 120kg

## Torque Specifications

### Critical Torques:

- Seatpost Clamp: 5Nm
- Saddle Rails: 10Nm
- Bottle Cage Mounts: 5Nm
- Derailleur Hanger: 25Nm
- Fork Expander: 10Nm
- Top Cap: 4Nm
- Thru-Axles: 10Nm

Frame parts



Number	Item code	Description	Quantity
1	TS06-0940	Seat Post Fixing Clamp	1
2	TS06-0945	Derailleur hanger UDH	1
3		M5*P0.8 Front derailleur bolt	2
4	TS06-0506	Front Derailleur Mount (Alu)	1
5	TS06-0601	Shimano Di2 Battery holder	1
6	TS06-0602	Rear brake cable rubber sleeve	1
7	TS06-0700	Bottom cover / battery holder base	1
8		Seat clamp M3 bolt	1
9	TS04-0051	Seatpost rubber cover	1
10	TS04-0218	Headtube bearing base	1
11	TS04-0125	Headtube bearing cover	1
12	TS04-0127	Di2 cable stopper	1
13	TS04-0028	Di2 rubber plug	1
14	TS04-0042	Di2 Rubber stopper	2
15	TS06-0834	Front derailleur cable port fixing screw	1
16	TS06-0415	Cable Hole Rubber Plug	1
17	TS06-0968	Di2 Rubber Plug (with hole)	1