

FRAME PASSPORT – SPEKTRI

***IKUISTA***

## Introduction & Safety Notices

Thank you for choosing an IKUISTA frame. This passport contains essential safety, compatibility, torque and geometry information specific to your frame. Keep this document for future reference and provide it to the next owner if the frame is transferred.

## Safety Warnings

Read and follow all instructions in this passport and in the component manufacturers' manuals before riding. Improper assembly, incorrect torque values, incompatible components, or misuse can lead to frame damage or serious injury.

- Always wear a helmet.
- Do not modify, drill, sand, cut or repaint the frame outside IKUISTA-approved processes.
- After any crash, impact or unusual noise, have the frame inspected by an authorized service partner.
- Use only components listed as compatible with your frame model.
- Periodic inspection of frame, fork, cockpit, wheels and seatpost is essential for long-term safety.

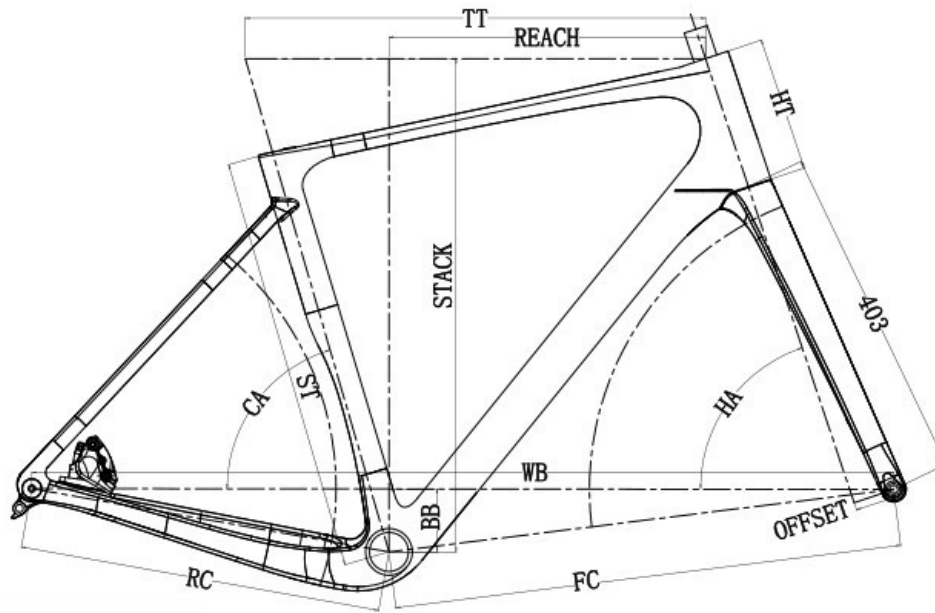
## Assembly Information

- Location: Tampere, Finland, Ikuista Assembly Factory
- For authorized service partners visit: [ikuista.com/service](https://ikuista.com/service)
- To activate extended warranty, register your frame at: [ikuista.com/warranty](https://ikuista.com/warranty)

## Serial number

Located below the bottom bracket under the bike. The serial number is order specific and linked to the first owner of the bike.

## Geometry &amp; Weight



SIZE	ST	TT	HT	HA	CA	BB	RC	FC	OFFSET	WB	STACK	REACH
49	470	521	110	70.5°	74°	78	435	588	50	1011	542	365
52	495	539	125	71°	73.5°	78	435	597	50	1020	558	373
54	520	553	145	71.5°	73.5°	78	435	607	50	1030	579	381
56	545	568	165	71.5°	73.5°	78	435	622	50	1046	598	390
58	570	583	185	71.5°	73.5°	78	435	638	50	1061	617	399

**Unpainted Frameset Weight:** ±1853g – including fittings

## Technical Specifications

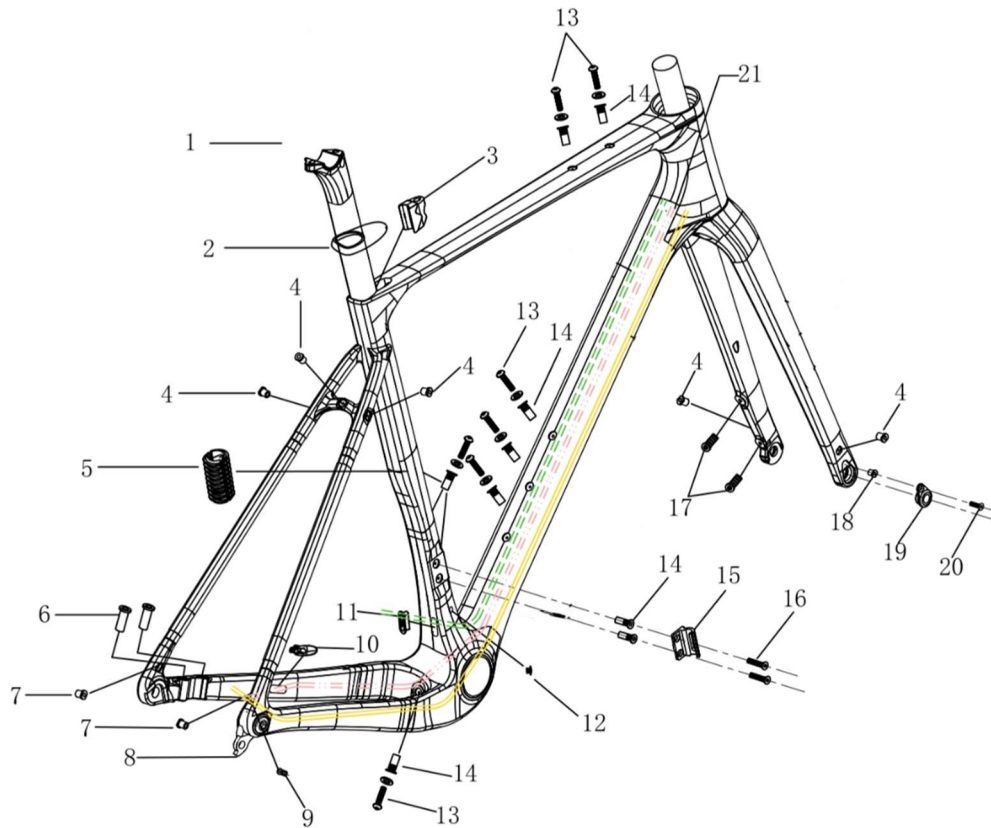
- Material: C° Carbon
- Headset size: Top 1-1/2 down 1-1/2
- Seatpost: Aero type
- BB: T47 Outboard, width 68mm
- Brake Type: Flat mount disc brake
- Maximum tyre size: 700\*45 C (Measured width)
- Maximum for single speed crankset: 46T
- Maximum for double speed crankset: 50-34T
- Rear axle: 142\*12mm ( Flat mount disc brake)
- Front spacer: Monocoque fork 100\*12mm
- Flat mount disc brake  $\varnothing$  140/  $\varnothing$  160 interchangeable)
- Cables routing: Fully integrated cable routing
- Mechanical cable routing: Yes
- UCI Approval: No
- Rider weight limit: 120kg

## Torque Specifications

### Critical Torques:

- Seatpost Clamp: 5Nm
- Saddle Rails: 10Nm
- Bottle Cage Mounts: 5Nm
- Derailleur Hanger: 25Nm
- Fork Expander: 10Nm
- Top Cap: 4Nm
- Thru-Axles: 10Nm

Frame parts



Number	Item code	Description	Quantity
1	FT-AL-056	Seatpost	1
2	FT-PL-012	Seatpost cover	1
3	FT-AL-070	Seatpost clamp	1
4	FT-AL-053	M5x10 Bolt rivet	5
5	FT-PL-013	Di2 Battery holder	1
6	FT-AL-006	Rear brake rivets	2
7	FT-AL-069	M5x14 Rivet	2
8	FT-AL-055	UDH derailleur hanger	1
9	FT-PL-006	Rear frame hole plug	1
10	FT-PL-003	Brake cableframe plug	1
11	FT-AL-007	Front derailleur frame plug	1
12	FT-PL-005	Frame hole plug	1
13	FT-SUS-003	Phillips pan head screw	1
14	FT-AL-023	M5 Bolt rivet	19
15	FT-AL-005	Front derailleur hanger	1
16	FT-SUS-004	Front derailleur bolt M5x16	2
17	FT-AL-024	M5 Brake bolt	2
18	FT-AL-022	M4 Rivet	1
19	FT-AL-002	Front axle fitting	1
20	FT-SUS-001	M4x8 bolt	1
21		Frame inner bushing	3