

FRAME PASSPORT – HALO

IKUISTA

Introduction & Safety Notices

Thank you for choosing an IKUISTA frame. This passport contains essential safety, compatibility, torque and geometry information specific to your frame. Keep this document for future reference and provide it to the next owner if the frame is transferred.

Safety Warnings

Read and follow all instructions in this passport and in the component manufacturers' manuals before riding. Improper assembly, incorrect torque values, incompatible components, or misuse can lead to frame damage or serious injury.

- Always wear a helmet.
- Do not modify, drill, sand, cut or repaint the frame outside IKUISTA-approved processes.
- After any crash, impact or unusual noise, have the frame inspected by an authorized service partner.
- Use only components listed as compatible with your frame model.
- Periodic inspection of frame, fork, cockpit, wheels and seatpost is essential for long-term safety.

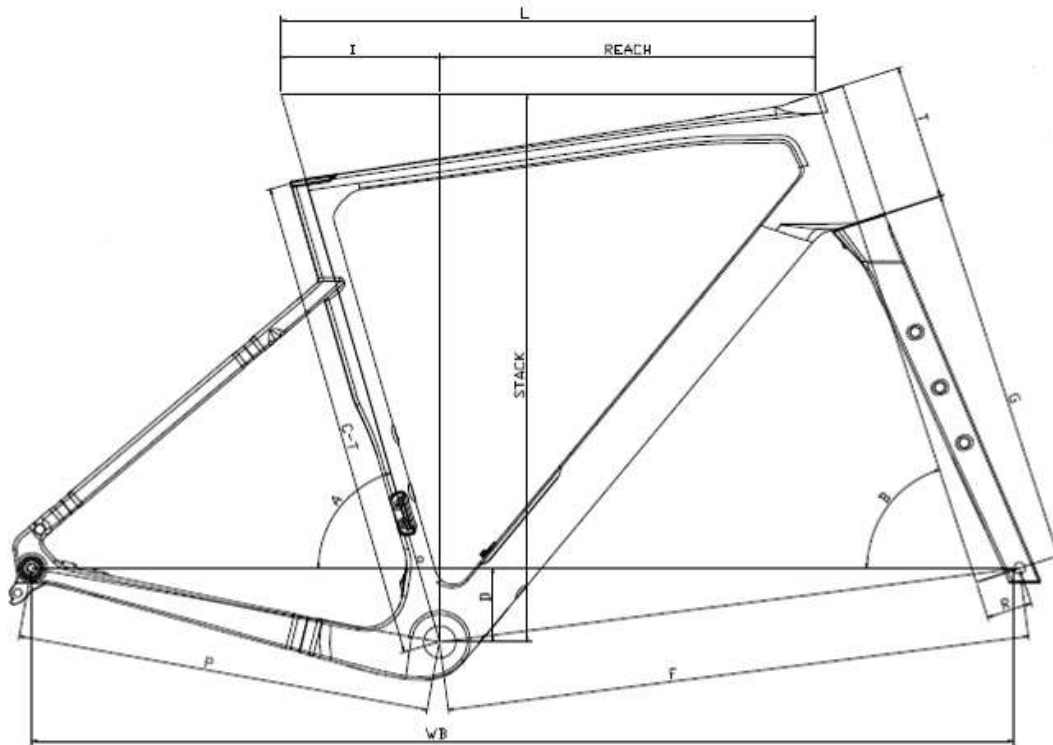
Assembly Information

- Location: Tampere, Finland, Ikuista Assembly Factory
- For authorized service partners visit: ikuista.com/service
- To activate extended warranty, register your frame at: ikuista.com/warranty

Serial number

Located below the bottom bracket under the bike. The serial number is order specific and linked to the first owner of the bike.

Geometry & Weight



| C-T | L | I | A | B | F | P | T | D | R | G | STACK | REACH | WB | TRAIL |
|-----|-----|-----|-------|-------|-----|-----|-------|----|----|-----|-------|-------|------|-------|
| 450 | 526 | 146 | 75° | 71° | 597 | 435 | 109.4 | 78 | 48 | 400 | 545 | 380 | 1020 | 75 |
| 480 | 540 | 155 | 74.5° | 71.5° | 602 | 435 | 123.3 | 78 | 48 | 400 | 560 | 385 | 1025 | 72 |
| 510 | 561 | 166 | 74° | 72° | 614 | 435 | 142.4 | 78 | 48 | 400 | 580 | 395 | 1037 | 68 |
| 540 | 583 | 178 | 73.5° | 72.5° | 625 | 435 | 161.5 | 78 | 48 | 400 | 600 | 405 | 1048 | 65 |
| 570 | 600 | 185 | 73.5° | 72.5° | 643 | 435 | 187.7 | 78 | 48 | 400 | 625 | 415 | 1066 | 65 |

Unpainted Frameset Weight: M size ±1815g – including fittings

Technical Specifications

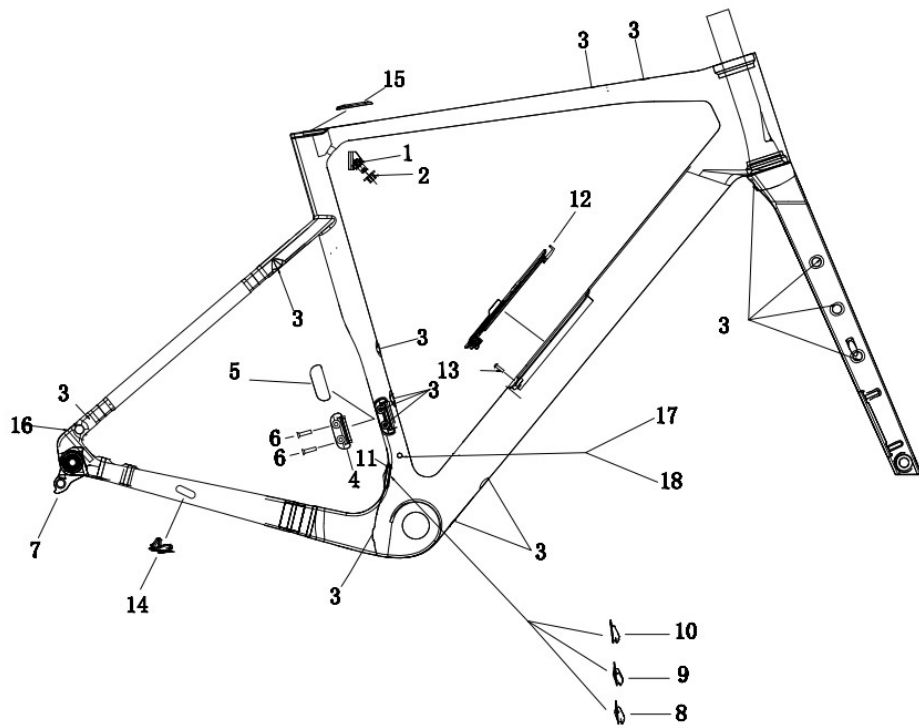
- Material: C° Carbon
- Headset size: Top 1-1/2 down 1-1/2
- Seatpost: Round 27.2mm
- BB: T47 Outboard
- Brake Type: Flat mount disc brake
- Maximum tyre size: 700*50mm (Measured width)
- Maximum for single speed crankset: 48T
- Maximum for double speed crankset: 53-39T
- Rear axle: 142*12mm (Flat mount disc brake)
- Front spacer: Monocoque fork 100*12mm
- Flat mount disc brake \varnothing 140/ \varnothing 160 interchangeable)
- Cables routing: Fully integrated cable routing
- Mechanical cable routing: Yes
- UCI Approval: No
- Total system weight limit: 120kg

Torque Specifications

Critical Torques:

- Seatpost Clamp: 5Nm
- Saddle Rails: 10Nm
- Bottle Cage Mounts: 5Nm
- Derailleur Hanger: 25Nm
- Fork Expander: 10Nm
- Top Cap: 4Nm
- Thru-Axles: 10Nm

Frame parts



| Number | Item code | Description | Quantity |
|--------|-----------|-----------------------------------|----------|
| 1 | TS06-0933 | Seat Post Clamp | 1 |
| 2 | TS05-0111 | Clamp Fixing Nut | 1 |
| 3 | | M5*P0.8 Bottle Cage Rivet Nut | 22 |
| 4 | TS06-0812 | Front Derailleur Mount (Alu) | 1 |
| 5 | TS06-0813 | Front Derailleur Cover | 1 |
| 6 | | M5P0.8L15 Tapered Head Bolt | 2 |
| 7 | TS06-0506 | UDH Derailleur Hanger | 1 |
| 8 | TS06-0601 | FD Cable Stop (Semi-through) | 1 |
| 9 | TS06-0602 | FD Cable Stop (Full-through) | 1 |
| 10 | TS06-0700 | FD Cable Hole Sealing Cover | 1 |
| 11 | | M3 Screw for Cable Stop | 1 |
| 12 | TS06-0916 | Downtube Storage Cover | 1 |
| 13 | | M3P0.5L10 Mushroom Head Screw | 2 |
| 14 | TS04-0051 | Full-through Cable Stop (Plastic) | 1 |
| 15 | TS04-0214 | Seatpost Waterproof Plug | 1 |
| 16 | TS04-0125 | FD Cable Hole Rubber Plug | 1 |
| 17 | TS04-0127 | Di2 Rubber Plug (with hole) | 2 |
| 18 | TS04-0028 | Di2 Rubber Plug (solid) | 2 |