

FRAME PASSPORT – FLUXI

IKUISTA

Introduction & Safety Notices

Thank you for choosing an IKUISTA frame. This passport contains essential safety, compatibility, torque and geometry information specific to your frame. Keep this document for future reference and provide it to the next owner if the frame is transferred.

Safety Warnings

Read and follow all instructions in this passport and in the component manufacturers' manuals before riding. Improper assembly, incorrect torque values, incompatible components, or misuse can lead to frame damage or serious injury.

- Always wear a helmet.
- Do not modify, drill, sand, cut or repaint the frame outside IKUISTA-approved processes.
- After any crash, impact or unusual noise, have the frame inspected by an authorized service partner.
- Use only components listed as compatible with your frame model.
- Periodic inspection of frame, fork, cockpit, wheels and seatpost is essential for long-term safety.

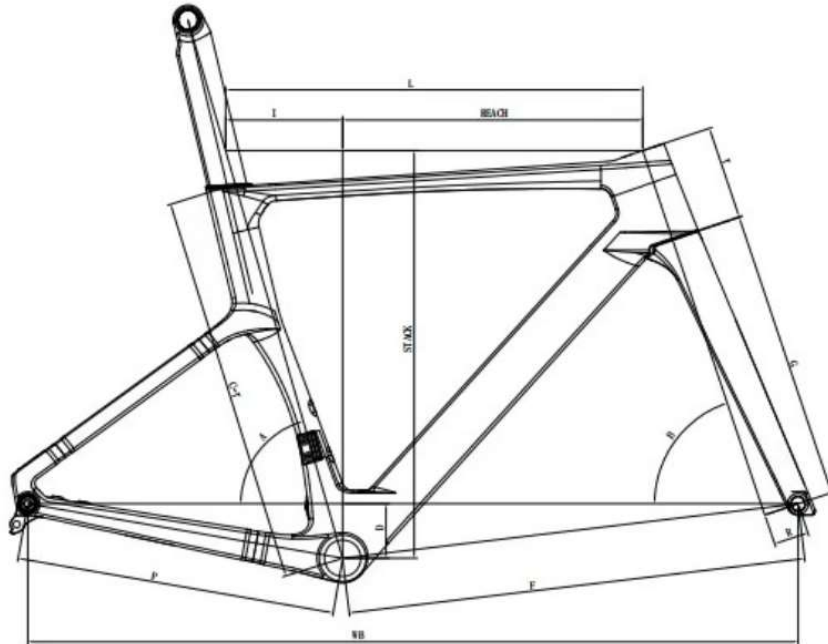
Assembly Information

- Location: Tampere, Finland, Ikuista Assembly Factory
- For authorized service partners visit: ikuista.com/service
- To activate extended warranty, register your frame at: ikuista.com/warranty

Serial number

Located below the bottom bracket under the bike. The serial number is order specific and linked to the first owner of the bike.

Geometry & Weight



SIZE	C-T	L	I	A	B	F	P	T	D	R	G	STACK	REACH	WB
(450)	440	515	140	74.5°	70.5°	581	412	102	70	45	373	504	375	982.4
(490)	470	530	142	74.5°	71°	592	412	108	70	45	373	511	388	993.7
(520)	500	540	151	74°	72°	589	412	121	70	45	373	527	389	990.7
(540)	520	550	161	73.6°	72.5°	591	412	141	70	45	373	548	389	992.6
(560)	540	565	171	73.3°	73°	598	412	161	70	45	373	568	394.5	999.9
(580)	560	580	180	73°	73.3°	607	412	181	70	45	373	589	400	1008.6

Unpainted Frameset Weight: M size 1770g – including fittings

Technical Specifications

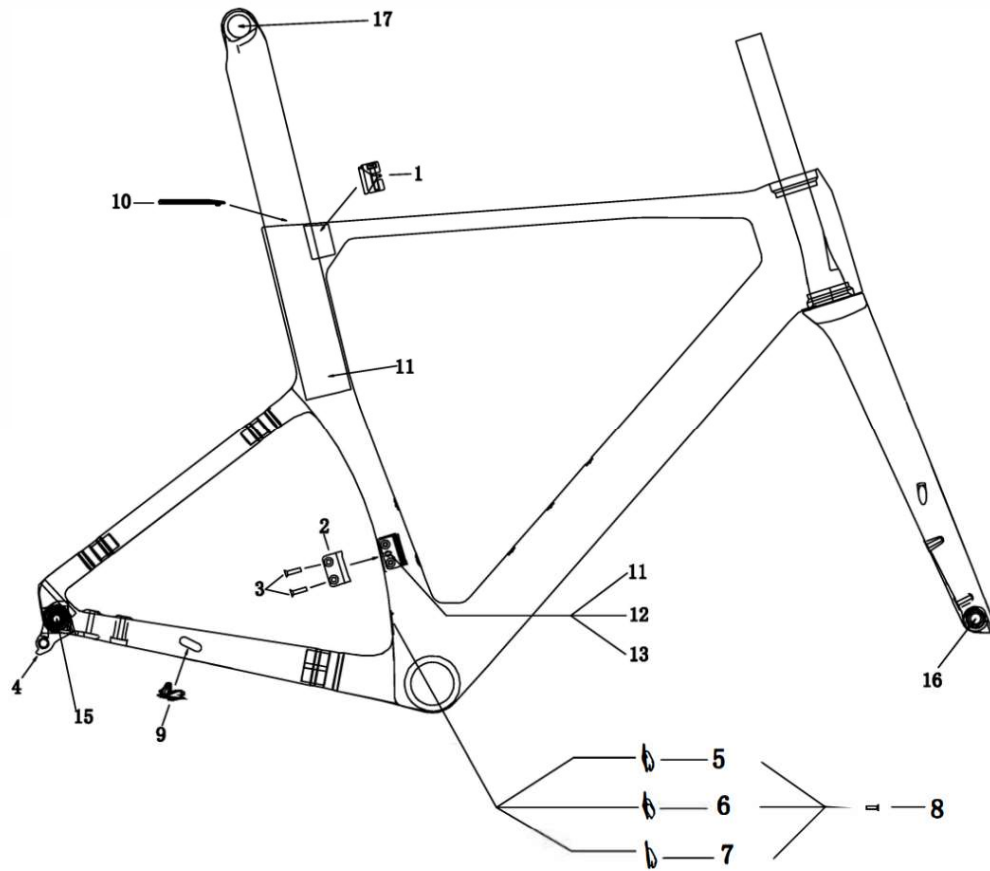
- Material: C° Carbon
- Headset size: Top 1-1/2 down 1-1/2
- Seatpost: Aero frame specific
- BB: T47 Outboard
- Brake Type: Flat mount disc brake
- Maximum tyre size: 700*32mm (Measured width)
- Maximum for single speed crankset: 48T
- Maximum for double speed crankset: 53-39T
- Rear axle: 142*12mm (Flat mount disc brake)
- Front spacer: Monocoque fork 100*12mm
- Flat mount disc brake $\text{C} 140/ \text{C} 160$ interchange
- Cables routing: Fully integrated cable routing
- Mechanical cable routing: Yes
- UCI Approval: No
- Total system weight limit: 120kg

Torque Specifications

Critical Torques:

- Seatpost Clamp: 5Nm
- Saddle Rails: 10Nm
- Bottle Cage Mounts: 5Nm
- Derailleur Hanger: 25Nm
- Fork Expander: 10Nm
- Top Cap: 4Nm
- Thru-Axles: 10Nm

Frame parts



Number	Item code	Description	Quantity
1	TS06-0940	Seat Post Fixing Clamp	1
2	TS06-0945	Front Derailleur Mount (Alu)	1
3		M5*P0.8 Front derailleur bolt	2
4	TS06-0506	Rear Derailleur UDH	1
5	TS06-0601	Derailleur cable cover	1
6	TS06-0602	Derailleur cable cover	1
7	TS06-0700	Derailleur cable cover	1
8		Front derailleur cover fixing bolt	1
9	TS04-0051	Rear brake cable rubber sleeve	1
10	TS04-0218	Seatpost rubber cover	1
11	TS04-0125	Di2 battery holder	1
12	TS04-0127	Front derailleur cover	1
13	TS04-0028	Front derailleur cover	1
14	TS04-0042	Front derailleur cover	2
15	TS06-0834	Rear derailleur hanger fixing	1
16	TS06-0415	Front axle fixing cap	1
17	TS06-0968	Saddle mounting clamp	1